

# CTY - Computer Systems Technology

Version 56

Published 7/16/2022 by **Josh Lee** Last updated 11/24/2024 1:48 PM by **David Trinh**

## Program Overview:

This three-year advanced diploma program provides you with knowledge and technical skills in networking and computer system administration. Built on partnerships with industry experts like Cisco, IBM, and Microsoft, our curriculum prepares students to specialize in security, physical and logical network design, as well as enterprise management. This program is comprised of practical courses focusing on hands-on training with computer programs in specialty labs.

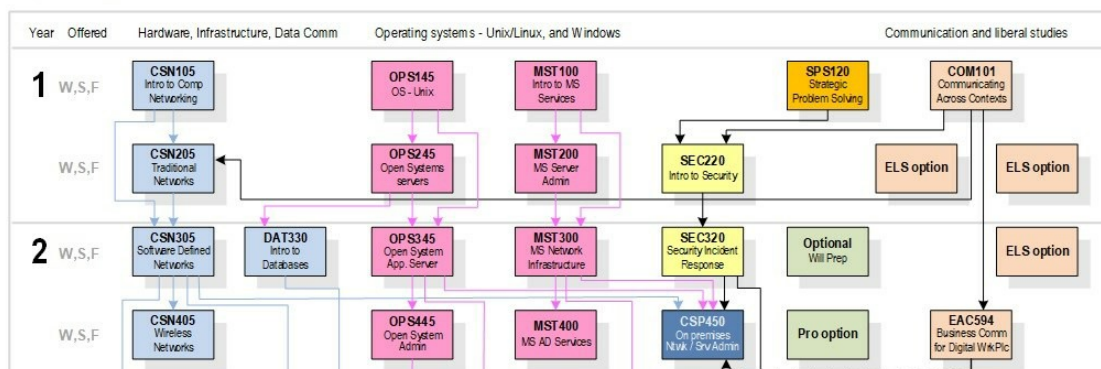
Seneca's Centre for Development of Open Technology has unparalleled connections with top-tier open-source projects such as Mozilla, creators of the Firefox web browser, and Red Hat, maker of the most successful commercial Linux operating system. In the Software Build and Release professional option, you have the opportunity to work with world-class developers on such projects.

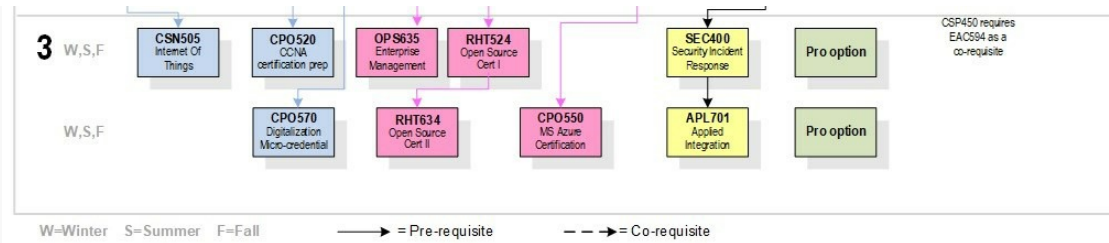
<b>Program Code:</b>	CTY
<b>Credential Awarded:</b>	Advanced Diploma
<b>Campus:</b>	Newnham
<b>Duration:</b>	3 years (6 academic semesters)
<b>Start Date:</b>	<b>Fall, Winter, and Summer *Start Dates are subject to change</b>

## Program Map:

### Computer Systems Technology (CTY) Curriculum

Program Entry Date: Sep 2023 or later





## Program Curriculum and Pre-Requisite Planner

### PDF of Program Map

### Program Learning Outcomes:

The graduate has reliably demonstrated the ability to:

- Identify, analyze, design, develop, implement, verify and document the requirements for a computing environment.
- Diagnose, troubleshoot, document and monitor technical problems using appropriate methodologies and tools.
- Analyze, design, implement and maintain secure computing environments.
- Analyze, develop and maintain robust computing system solutions through validation testing and industry best practices.
- Communicate and collaborate with team members and stakeholders to ensure effective working relationship.
- Select and apply strategies for personal and professional development to enhance work performance.
- Apply project management principles and tools when responding to requirements and monitoring projects within a computing environment.
- Adhere to ethical, social media, legal, regulatory and economic requirements and/or principles in the development and management of the computing solutions and systems.
- Investigate emerging trends to respond to technical challenges.
- Analyze, plan, design, implement and administer computer systems and cloud solutions.
- Research, design, deploy, configure, troubleshoot, maintain, upgrade, and decommission computing system infrastructures.
- Select and apply scripting tools and programming languages to automate routine

tasks.

- Install, monitor, optimize and administer a database management system in response to specified requirements.
- Design, implement, and administer technical support processes for computing system infrastructures that aligns with industry best practice.

### **Potential Career Pathways:**

This program provides you with the knowledge in a variety of Project Management methodologies (traditional waterfall, incremental, iterative, agile) that are currently being practiced in the IT industry. You'll gain a solid understanding of which methodology is most appropriate to use for any given Information Technology project. As a graduate of the Project Management - IT program, you'll work in a variety of positions related to the management of IT projects, such as:

- Assistant Project Manager
- Analyst
- Project Coordinator
- Project Manager

### **Optional Co-op:**

Students meeting all academic requirements may have the opportunity to complete an optional co-op work term(s) in a formal work environment. In most cases, the work term(s) is a full-time paid position completed between two academic semesters. In programs with limited co-op opportunities, additional academic requirements and a passing grade on a communication assessment may be required for eligibility. Eligibility for participation does not guarantee a work position will be secured. Additional fees are required for those participating in the optional co-op stream regardless of success in securing a work position.

- Successful completion of all first and second-semester required courses (including COM101/COM111 and Liberals/General Education) in the semester you apply for WIL as stated in the most current full-time course calendar
- Must be enrolled in a minimum of four courses
- A minimum semester GPA of 3.0 (five or more courses) in the application semester

- A minimum semester GPA of 3.2 (four courses) in the application semester
- A minimum overall GPA of 3.0
- Once admitted into the WIL stream, students are required to take at least four courses in their subsequent academic semesters and maintain a minimum cumulative GPA of 3.0

*When to apply?*

Semesters 2, 3, and 4 (Winter, Summer, Fall)

*For more information regarding your optional WIL term, please contact your respective **Student Adviser**.*

**NOTE: Once you have completed two co-op placements, you cannot graduate from the CSN program or transfer back into the CSN program. You must remain in the CTY program to graduate.**

#### **Admissions Requirements for Future Students/Students Graduating Secondary School:**

- Ontario Secondary School Diploma (OSSD), or equivalent, or a **mature applicant**
- English: Grade 12 C or U, or equivalent course
- Mathematics: Grade 12 C or U, or Grade 11 U or M, or equivalent course

Canadian citizens and permanent residents may satisfy the English and/or mathematics requirements for this program through successful **Seneca pre-admission testing**.

**Recommended upgrading for applicants who do not meet academic subject requirements.**

#### **Transfer Pathway into IFS: Honours Bachelor of Technology - Informatics & Security**



## More Information About This Program

\*Edited 12/2022\*

tags : advdiploma, cty